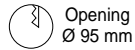


LEUCOS®

INSTALLATION INSTRUCTIONS for LEUCOS USA

GLO' Recessed

A1 Enclosed



Two installers



Save instructions

Revised

07 - November - 07

WARNING: BEFORE BEGINNING THE INSTALLATION OF THE FIXTURE MAKE SURE TO TURN THE POWER OFF. - PLEASE HANDLE THE GLASS DIFFUSER CAREFULLY IN ORDER TO AVOID SCRATCHING IT.

Please note: Do not cover this fixture with insulating material .

- Fig.1** Insert bracket "A", of collar "B", inside the opening, as shown, then take care to put bracket "A" on a flat-full contact with the inside surface of the false ceiling. **Fig.2.**
- Fig.1-2** Tighten screws "C" in order to obtain a complete and safe locking of the two parts "A" and "B" on the ceiling thick.
- Fig.3-4** Sleeve wires with the red thermal tubes provided. Connect supply wires to the terminal block "D". Be carefull to ceck the correct polarity.
Please note: the length of the wire cannot be altered. - Insert bulb
- Fig.3** Guide the glass top tube inside the structure "F", as shown, then lock it inside the collar ring by passing the metal rod "E" through the corresponding holes and finally secure it by tightening the threaded head "H".
- Fig. 4-5** Guide now the fixture-glass inside the fixture "B" on the ceiling then secure it by tightening the three screws "G" on the corresponding pins "I". - Restore power.

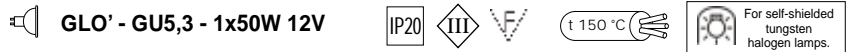
LOW VOLTAGE SUPPLY VERSION::

- This fixture complies with CEI 34-21 only if installed with a transformer according to standards.
- The electrical supply wires must be rated at least 150°C

Minimum distance between lamp and objects $\geq 0.5m$

LOW VOLTAGE SUPPLY VERSION:

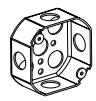
- This fixture complies with CEI 34-21 only if installed with a transformer according to standards.
- The electrical supply wires must be rated at least 150°C.



SUPPLY LIME VERSION :



CIRCUIT DIAGRAM:



MOUNTS TO STANDARD IUNCTION BOX

WHITE NEUTRAL

BLACK PHASE

GREEN-YELLOW
BARE COPPER WIRE



Ground

FIG. 1

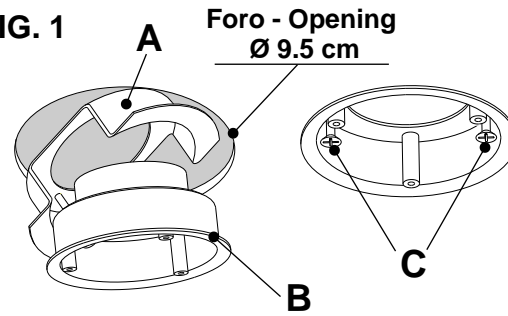


FIG. 2

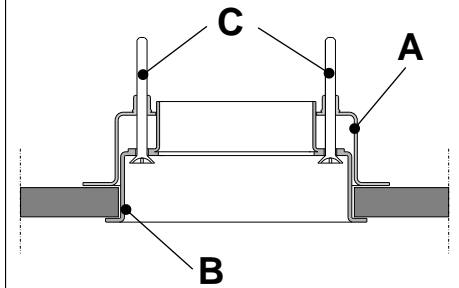


FIG. 3

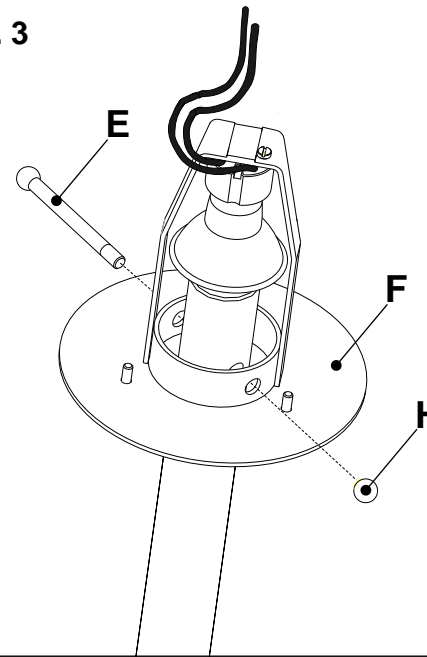


FIG. 4

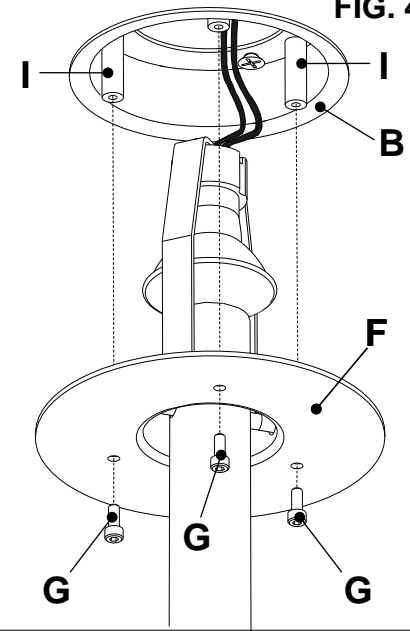
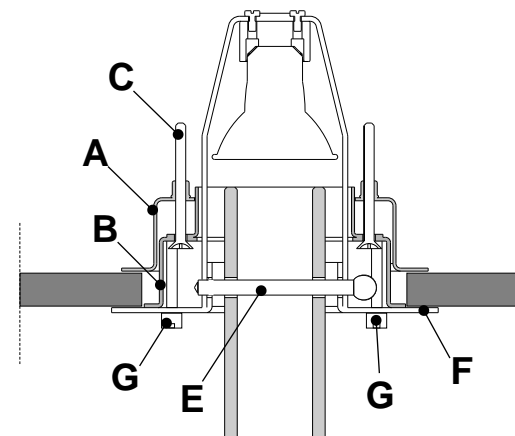


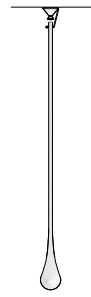
FIG. 5



LEUCOS®

LEUCOS USA - INSTRUCTIONS FOR INSTALLATION

GLO' Ceiling



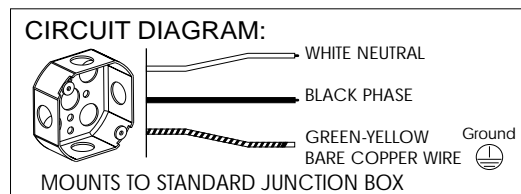
A1 Enclosed	F	Two installers	Save instructions	Revised 19 October 2004
IP20	For self-shielded tungsten halogen lamps.	0.5m	Minimum distance between lamp and objects	t 150 °C

WARNING: - Disconnect power before installation. - Fixture to be installed by a certified electrician. - Install in accordance with the national and local electrical codes. - Take great care to avoid scratching or chipping the glass when carrying out the operations below.

ATTENTION: The manufacturing of the GLO' glass reaches extreme conditions regarding the ability to manufacture hand blown Murano glass. The exceptional extension of the crystal falling by gravity from a height of 3 meters, as well as the instant cooling and heating of the glass in order to carefully measure the width of the neck, lead to the physical and therefore natural presence of bubbles, streaks (stretched bubbles) and natural opacity due to the presence of soda. Therefore, the presence of these physiological elements should not be considered a defect, but rather a characteristic of the glass and a guarantee of its handcraft authenticity.

- Fig.1.** Install structure "A" on the J-Box. by using the four slots "B". Take care to guide the supply wires through the hole "C" provided.
- Fig.1.** Connect supply wires to the terminal block "D". Be careful to check the correct polarity.
Please note: the length of the wire cannot be altered.
- Fig.2.** Cover the wire housing with the metal cone "E" and lock it on the structure by the two side screws.
- Fig.2** Insert the bulb into the lampholder through the opening "F" provided.
- Fig.2-3** Install glass "G" on the flat arm of the structure, as shown, then make sure the installation by tightening the sphere "H" on the threaded top.
- Restore power.

GLO'- GU10 - 1x50W 120V twisline 



For additional information please contact your local dealer or **LEUCOS U.S.A.** at: tel. (732) 225-0010; fax (732) 225-0250

FIG. 1

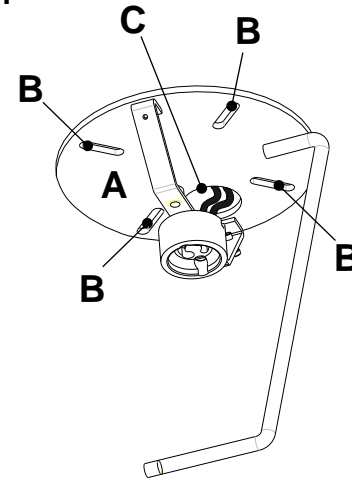


FIG. 2

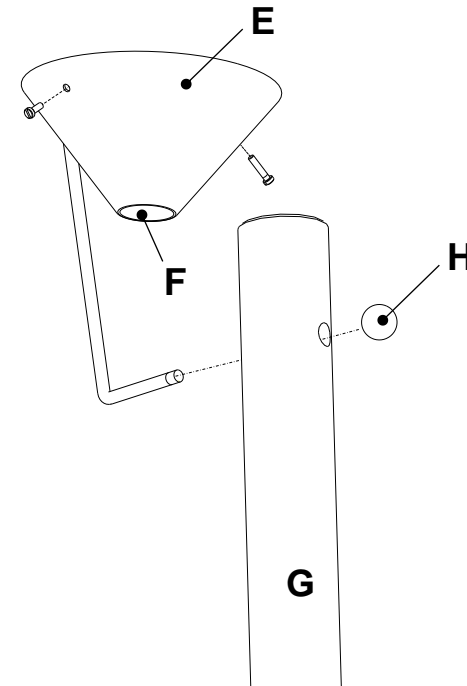


FIG. 3

