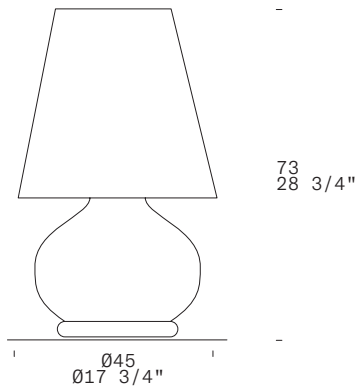



**PARALUME G (BIG) T - INDOOR**

Leucos Design Lab, 1983



## TECHNICAL SHEET

<b>MATERIALS</b>	Diffuser: Blown and Layered Glass Structure: Metal
<b>DIMENSIONS &amp; WEIGHT</b>	Diffuser: 045" H 28 3/4" [045cm H 73cm] Max cable length: 70 7/8" [180cm] Weight: 25,1 lbs
<b>FINISHES (DIFFUSER / STRUCTURE)</b>	Satin White / White 
<b>LIGHT SOURCE</b>	E26 2 x 10W Retrofit LED (2 x max 75W Halogen Bulb) Voltage: 120V
<b>CERTIFICATIONS DRY LOCATION</b>	<span style="border: 1px solid black; padding: 2px;">IP20</span>

Double Light Switch



North America

**LEUCOS®**

<b>DIMMING</b>	Double Light Switch			
<b>FINISH</b>	<b>SOURCE</b>	<b>CODE</b>	<b>QUANTITY</b>	<b>TYPE</b>
Satin White / White	E26	0002515		

<b>PROJECT NAME</b>	
<b>SPECIFIER NAME</b>	

We reserve the right to change our product specifications.  
Please visit [www.leucos.com](http://www.leucos.com) for the latest product information

11 Mayfield Avenue  
Edison, New Jersey 08837 - USA  
Tel 001 732 225-0010

<https://www.leucos.com>  
[info.us@leucos.com](mailto:info.us@leucos.com)