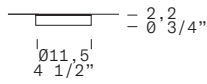


ISIDE 2 - INDOOR

Roberto Pamio, 2001

North America

LEUCOS



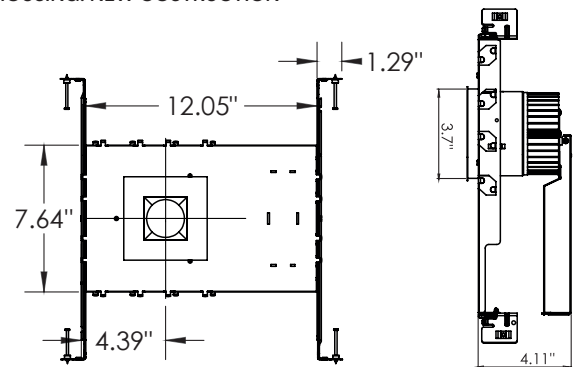
Discover more

TECHNICAL SHEET

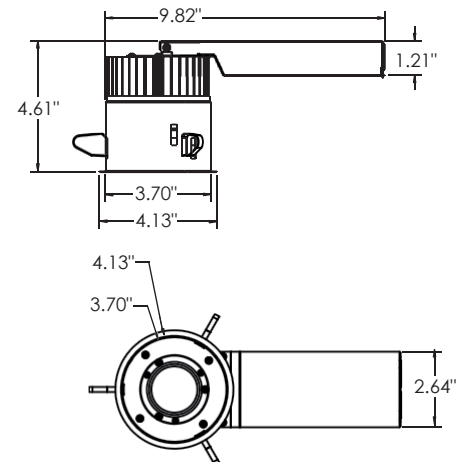
HOUSING	New Construction, Remodel
NEW COSTRUCTION DIMENSIONS	W:12,05" D:7,64" H:4,11"
REMODEL DIMENSIONS	W:9,82" D:4,61" H:2,64"
CUTOUT Ø:	3 7/8" dia
MATERIALS	Diffuser: Glass Structure: Metal
FINISHES (DIFFUSER)	Satin White, Crystal
DIMENSIONS	[Ø4 1/2" H0 3/4"] Ø11,5cm H2,2cm
LIGHT SOURCE	LED 14W 2700K, 3000K, 3500K or LED 23W 2700K, 3000K, 3500K
DRIVER	Dimmable electronic (ELV and 0-10 V)
VOLTAGE	120/277 Volts
CERTIFICATIONS	Housing is UL Listed Rated for Damp Locations



HOUSING: NEW COSTRUCTION



HOUSING: REMODEL



PROJECT NAME	
SPECIFIER NAME	

We reserve the right to change our product specifications.
Please visit www.leucos.com for the latest product information

HOUSING: NEW COSTRUCTION

DIMMING PROTOCOL	Dimmable electronic (ELV and 0-10 V)			
FINISH (DIFFUSER)	SOURCE	CODE	QTY	TYPE
Crystal	LED 23W 3000K	0013928		
Satin White	LED 14W 3500K LED 14W 3000K	0013932 0013931		

HOUSING: REMODEL

DIMMING PROTOCOL	Dimmable electronic (ELV and 0-10 V)			
FINISH (DIFFUSER)	SOURCE	CODE	QTY	TYPE
Crystal	LED 14W 3500K	0013938		

PROJECT NAME	
SPECIFIER NAME	

We reserve the right to change our product specifications.
Please visit www.leucos.com for the latest product information