

Disk Recessed Downlight, LED

IC Insulated Housing

Toso, Massari & Associates, 2001

Disk brings any recessed light application to life with a beautiful genuine crystal diffuser that is hand poured in Italy. Designed by Toso, Massari & Associates, Disk is an elegant UL and damp listed light alternative to a basic recessed light. Its decorative trim adds the perfect amount of dazzle and additional light diffusion to your commercial, hospitality or residential project. Disk is available as Low Voltage or Integrated LED in a variety of lumen outputs, color temperatures, dimming protocols, housings (by Contraste) and 2 finish options (crystal or satin white).

Housing: New Construction, Remodel, IC Insulated, or Chicago Plenum

Dimensions:

Trim Ø: 5 1/2" (139 mm)
 Trim H: 1 1/4" (32 mm)

Housing W: 5 7/8" (149 mm)
 Housing D: 10" - 24 1/2" (254 - 622 mm)
 Housing H: 7 1/16" (179 mm)

Cutout Ø: 3 5/8" (92 mm)
 Ceiling D: Up to 1 1/2" (38 mm) thick

Wattage: 16W, 500 mA LED, 1500 Lumens
 23W, 700 mA LED, 2000 Lumens

CCT: 2700K, 3000K, 3500K, or 4000K

CRI: >80

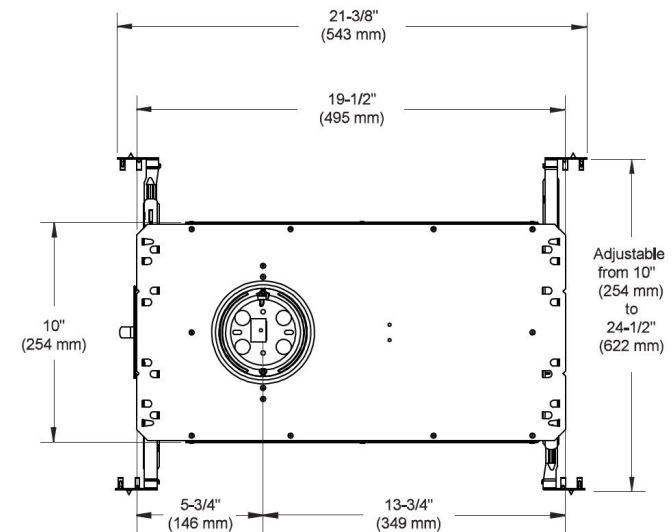
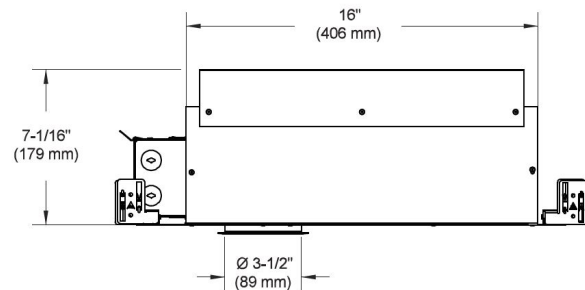
Driver: Dimmable electronic (ELV or 0-10V)

Voltage: 120/277 Volts

Certifications: Housing is UL Listed
 Rated for Damp Locations

Made in: Crystal trim hand poured in Italy
 Housing made in Canada by Contraste

Color Options: Crystal or Satin White



[Additional Info/Images](#)

