

## Disk Recessed Downlight, Lo Voltage

Remodel Housing

Toso, Massari & Associates, 2001

Disk brings any recessed light application to life with a beautiful genuine crystal diffuser that is hand poured in Italy. Designed by Toso, Massari & Associates, Disk is an elegant UL and damp listed light alternative to a basic recessed light. Its decorative trim adds the perfect amount of dazzle and additional light diffusion to your commercial, hospitality or residential project. Disk is available as Low Voltage or Integrated LED in a variety of lumen outputs, color temperatures, dimming protocols, housings (by Constraste) and 2 finish options (crystal or satin white).

**Housing:** New Construction, Remodel, or IC Insulated

**Dimensions:**

Trim Ø: 5 1/2" (139 mm)  
 Trim H: 1 1/4" (32 mm)

Housing W: 4 5/8" (117 mm)  
 Housing D: 13" (330 mm)  
 Housing H: 7" (178 mm)

Cutout Ø: 3 5/8" (92 mm)  
 Ceiling D: Up to 1 1/2" (38 mm) thick

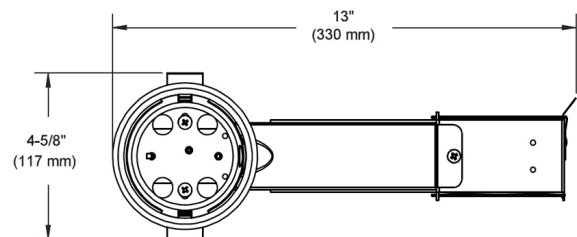
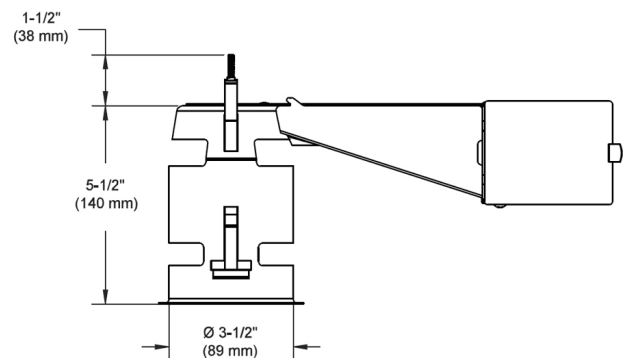
**Wattage:** 1x50W lo-voltage halogen, MR-16

**Dimmer:** Not Dimmable

**Voltage:** 120/12V or 277/12V with electronic transformer

**Certifications:** Housing is UL Listed  
 Rated for Damp Locations

**Made in:** Crystal trim hand poured in Italy  
 Housing made in Canada by Constraste



**Color Options:** Crystal or Satin White



[Additional Info/Images](#)