

## Iside Recessed Downlight, LED

Chicago Plenum Housing  
 Roberto Pamio, 1991

Iside brings any recessed light application to life with a beautiful genuine crystal diffuser that is hand poured in Italy. Designed by Roberto Pamio, Iside is an elegant UL and damp listed light alternative to a basic recessed light. Its decorative trim adds the perfect amount of dazzle and additional light diffusion to your commercial, hospitality or residential project. Iside is available as Low Voltage or Integrated LED in a variety of lumen outputs, color temperatures, dimming protocols, housings (by Contraste) and 2 finish options (crystal or satin white).

**Housing:** New Construction, Remodel, IC Insulated, or Chicago Plenum

**Dimensions:**

Trim Ø: 4 1/2" (114 mm)  
 Trim H: 3/4" (19 mm)

Housing W: 21 3/8" (543 mm)  
 Housing D: 10"- 24 1/2" (254 - 622 mm)  
 Housing H: 7 1/16" (179 mm)

Cutout Ø: 3 5/8" (92 mm)  
 Ceiling D: Up to 1 1/2" (38 mm) thick

**Wattage:** 16W, 500 mA LED, 1500 Lumens  
 23W, 700 mA LED, 2000 Lumens

**CCT:** 2700K, 3000K, 3500K, or 4000K

**CRI:** >80

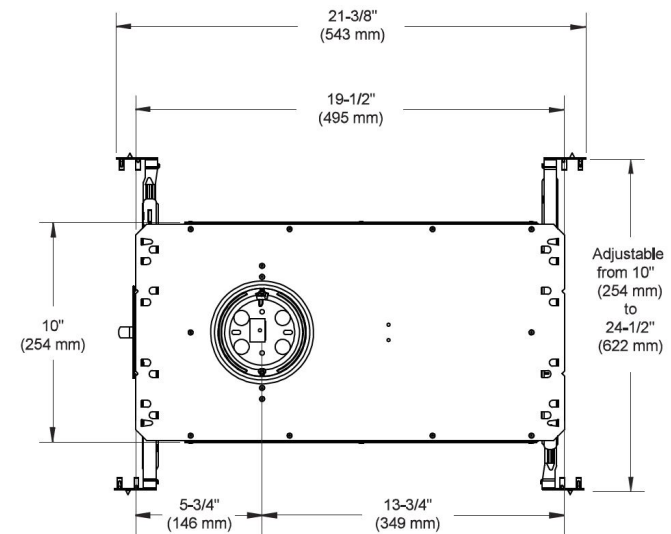
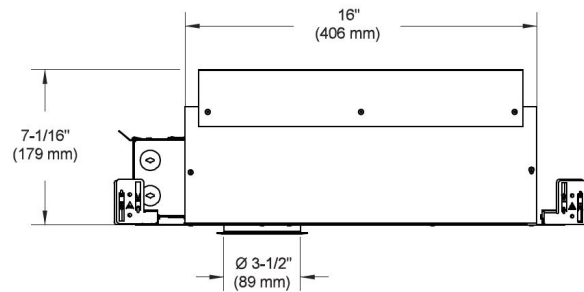
**Driver:** Dimmable electronic (ELV or 0-10V)

**Voltage:** 120/277 Volts

**Certifications:** Housing is UL Listed  
 Rated for Damp Locations

**Made in:** Crystal trim hand poured in Italy  
 Housing made in Canada by Contraste

**Color Options:** Satin White or Crystal



[Additional Info/Images](#)

