

Iside Recessed Downlight, Lo Voltage

IC Insulated Housing
 Roberto Pamio, 1991

Iside brings any recessed light application to life with a beautiful genuine crystal diffuser that is hand poured in Italy. Designed by Roberto Pamio, Iside is an elegant UL and damp listed light alternative to a basic recessed light. Its decorative trim adds the perfect amount of dazzle and additional light diffusion to your commercial, hospitality or residential project. Iside is available as Low Voltage or Integrated LED in a variety of lumen outputs, color temperatures, dimming protocols, housings (by Contraste) and 2 finish options (crystal or satin white).

Housing: New Construction, Remodel, or IC Insulated

Dimensions:

Trim Ø: 4 1/2" (114 mm)
 Trim H: 3/4" (19 mm)

Housing W: 5 7/8" (149 mm)
 Housing D: 10" - 24 1/2" (254 - 622 mm)
 Housing H: 7 1/16" (179 mm)

Cutout Ø: 3 5/8" (92 mm)
 Ceiling D: Up to 1 1/2" (38 mm) thick

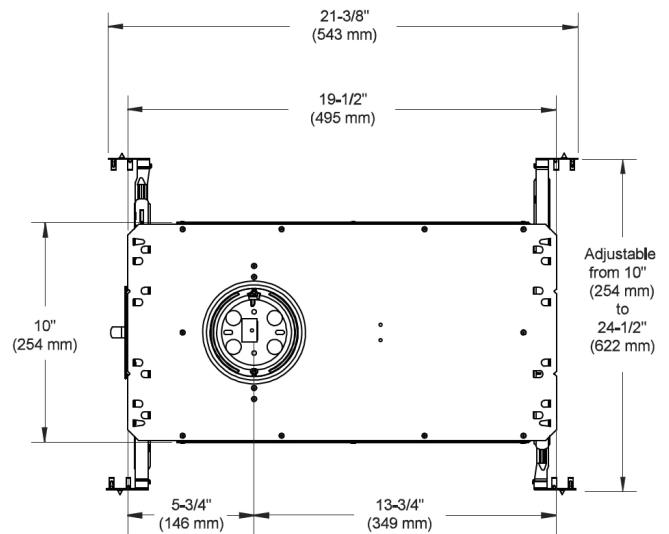
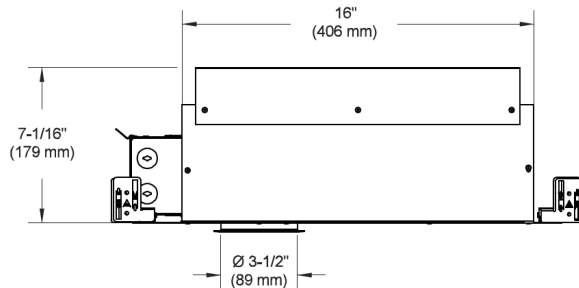
Wattage: 1x35W lo-voltage halogen, MR-16

Dimmer: Not Dimmable

Voltage: 120/12V or 277/12V with electronic transformer

Certifications: Housing is UL Listed
 Rated for Damp Locations

Made in: Crystal trim hand poured in Italy
 Housing made in Canada by Contraste



Color Options: Satin White or Crystal



[Additional Info/Images](#)