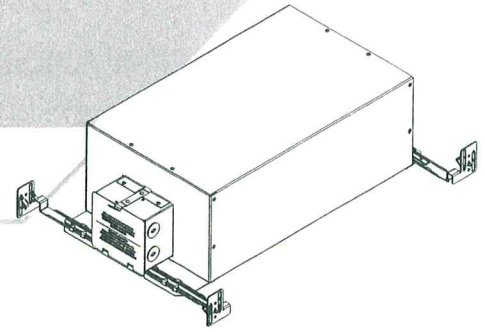


INSTALLATION INSTRUCTIONS

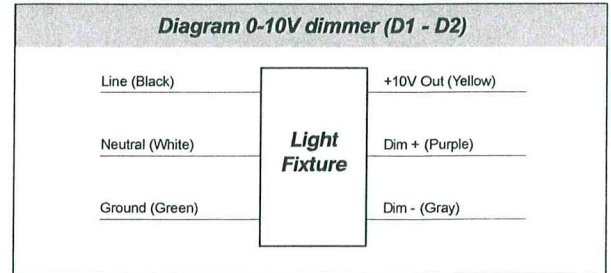
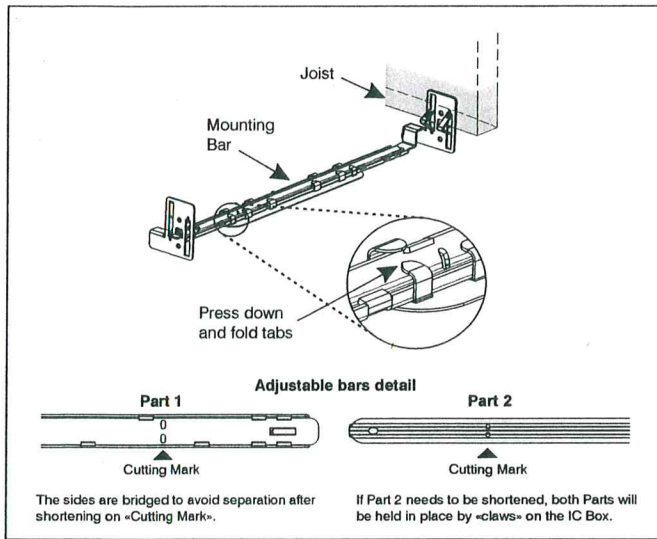
IC LED Housings - Air Tight - Chicago Plenum (optional)

TO BE USED IN INSULATED MATERIALS - SUITABLE FOR DAMP LOCATION

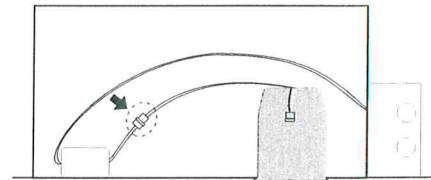
LEU-ICLDLD1, LEU-ICLDLD2, LEU-ICLDLE1, LEU-ICLDLE2
LEU-ICLDLD1P, LEU-ICLDLD2P, LEU-ICLDLE1P, LEU-ICLDLE2P



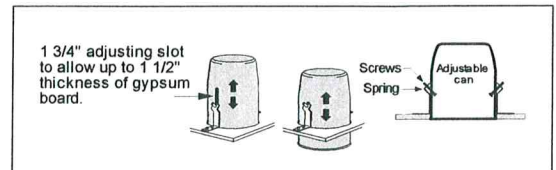
1. SHUT OFF ELECTRICAL SUPPLY AT SOURCE.
2. Remove the can from the « IC » box by unscrewing the two screws that hold it in the box and reserve it with the screws for installation at STEP 10.
3. Locate position of mounting frames and install before the gypsum board. Fasten the mounting frame to the wood joist with the adjustable mounting bars (10" to 24,5"). To shorten the bars to 10", remove bars and cut off at the notch (See adjustable mounting bars detail view).
4. Once the correct bar length is known, fold down and press tabs to lock the plate onto the mounting bars.



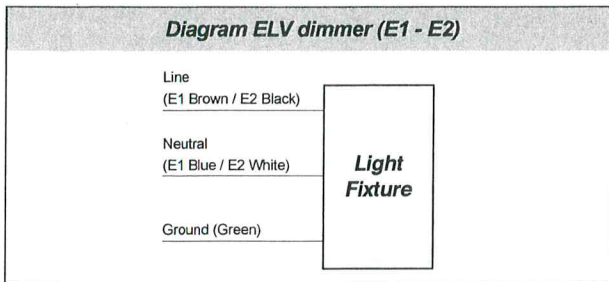
7. Install the ceiling material and locate the center of fixture.
8. Cut a hole to a diameter of: Ø 3-5/8" (92 mm)
9. Connect the housing wires to the can wires.



10. Insert can in the housing and fix it with the two adjustment screws.



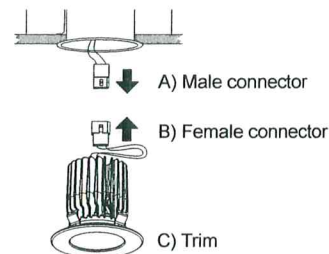
5. Bring the electrical wiring to the housing junction box as per applicable local electrical codes.
6. Open the junction box and connect the wires based on diagrams below. Close the junction box.



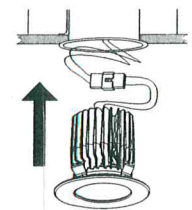
Please keep these installation instructions for future maintenance.

11. Install the trim.

Connect the male and female connectors.



Push connected wires in the pot then push the trim in the can.



CAUTION The use of another company's products or components in conjunction with this product may not be covered by UL approvals, and could be hazardous. Such use automatically voids all warranties and responsibility for any problems that may result from such use.



WARNING SHOCK AND FIRE HAZARD

Most dwellings built before 1985 have supply wires rated 60°C. Consult a qualified electrician before installing.

Please visit the Website to see the list of compatible dimmers or for more details.

LEUCOS

11 Mayfield Avenue Edison, NJ 08837
t 732.225.0010 f 732.225.0250
www.leucosusa.com



EL638 (Rev. C)
10371-
2016-0-