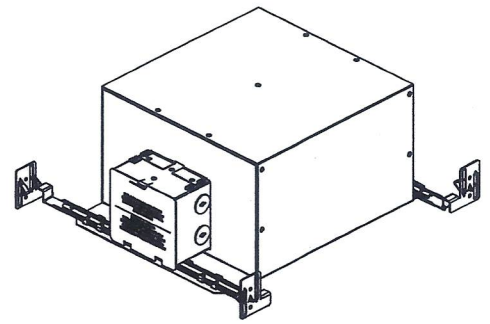


INSTALLATION INSTRUCTIONS

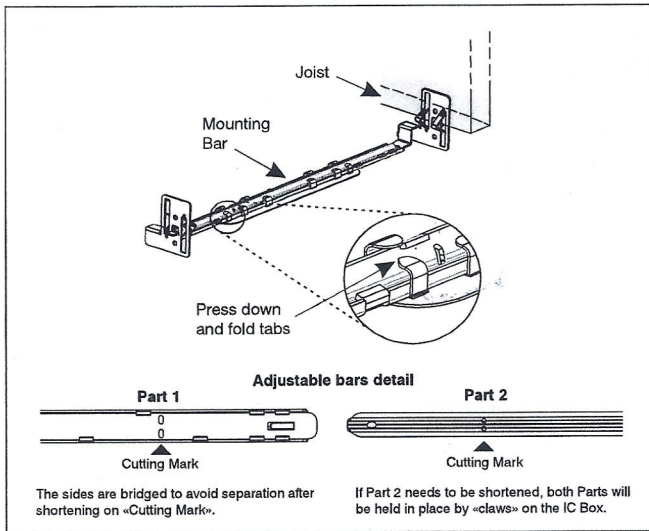
Insulated Housing «IC» (except polyurethane)

FOR INSTALLATION IN INSULATED CEILING - SUITABLE FOR DAMP LOCATION

LEU-ICMR, LEU-ICMR2



1. SHUT OFF THE ELECTRICAL SUPPLY AT SOURCE.
2. Pull out the adjustable can from the insulated housing and make sure that the wire connector is unplugged before pulling it down.
3. Locate position of fixtures and fasten the mounting frame to joists with adjustable mounting bars 10" (254 mm) to 24-1/2" (622 mm).
4. To shorten bars to 10" (254 mm), remove the bars and cut off at the notch. When the correct bar length is set, fold down and press tabs to lock the plate onto the mounting bars. Tighten the two locking screws located on the mounting bars to lock the housing in place.



5. Open the junction box. Connect supply and ground wires with the enclosed plastic connectors, matching the colors together (Black/Black, White/White and Green/Green).

IMPORTANT : Leave an extra length of at least 6" of supply leads and ground wire inside the junction box.

6. Close the box.
7. Close the ceiling.
8. Identify the position of the fixtures centered with the opening of the mounting frame and make opening on ceiling, cut a hole: \varnothing 3-5/8" (92 mm).

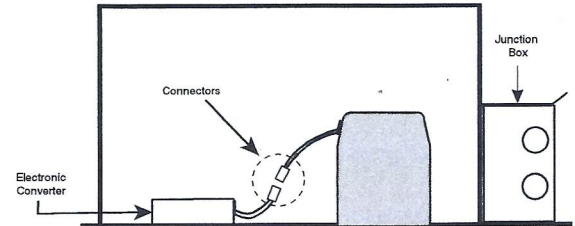
Please keep these instructions for maintenance reference.



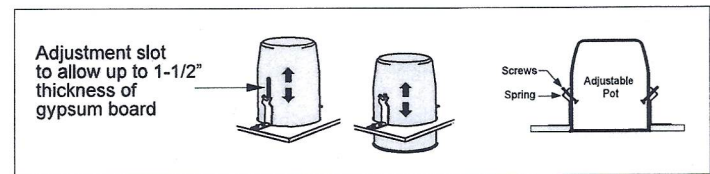
CAUTION The use of another company's products or components in conjunction with this product may not be covered by UL approvals, and could be hazardous. Such use automatically voids all warranties and responsibility for any problems that may result from such use.

9. Connect the pot connector.

Electronic Converter Housing

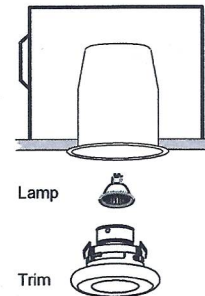


10. Insert can in the housing and fix it with the two adjustment screws.



11. Install the trim:
 - Connect the lamp on the lampholder
 - Push the trim in the can

(Use only covered MR16 lamps.)



AIR TIGHT
ASTM Test #E203

UL US
LISTED

MADE IN CANADA



WARNING

SHOCK AND FIRE HAZARD

Most dwellings built before 1985 have supply wires rated 60°C. Consult a qualified electrician before installing.



It is very important not to exceed the lamp wattage indicated.

LEUCOS

11 Mayfield Avenue Edison, NJ 08837
t 732.225.0010 f 732.225.0250
www.leucosusa.com

© 2015 Leucos USA
All rights reserved

EL100 - 103889
2015-09