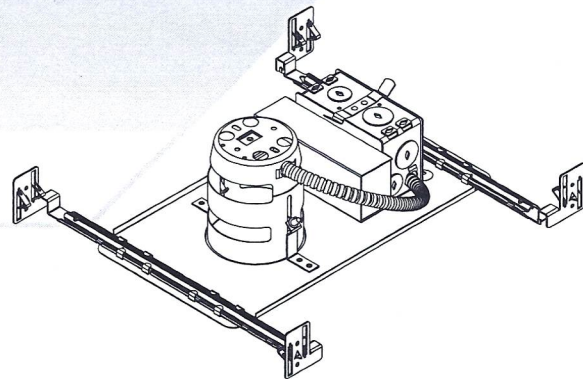


# INSTALLATION INSTRUCTIONS

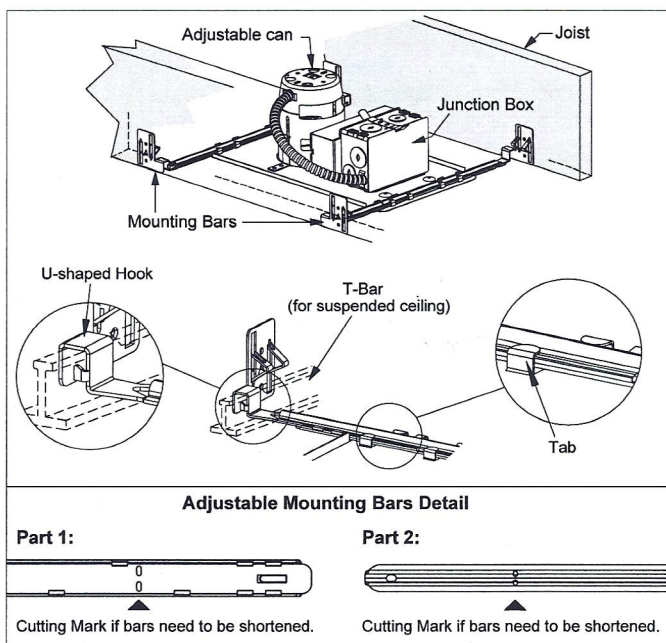
## New Construction Housing

DO NOT INSTALL IN INSULATION - SUITABLE FOR DAMP LOCATION

LEU-NWMMR, LEU-NWMMR2

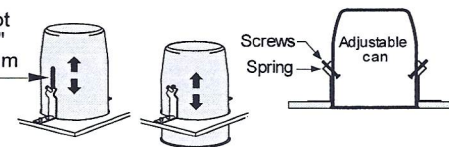


1. **SHUT OFF ELECTRICAL SUPPLY AT SOURCE.**
2. Locate position of mounting frame and install before the gypsum board. Fasten the mounting frame to the wood joist (or other ceiling type) with the adjustable mounting bars (10" to 24,5"). To shorten the bars to 10", remove bars and cut off at the knotch (See adjustable mounting bars detail view).
3. Once the correct bar length is known, fold down and press tabs to lock the plate to the mounting bars. Using a pliers, tighten the U-shaped hooks on the T-bars.

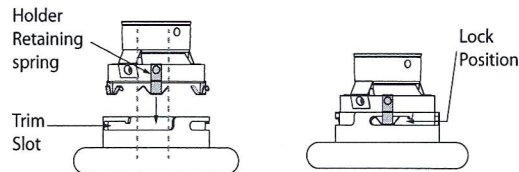


6. Close the junction box.
7. Install the ceiling material and locate the center of each fixture on the ceiling material.
8. Cut the hole to a diameter of:  $\varnothing 3 5/8"$  (92 mm).
9. After installing the ceiling material, adjust the height of the can with the adjustment screws so that the lip is even with the ceiling.

1 3/4" adjusting slot to allow up to 1 1/2" thickness of gypsum board.



10. Trim assembly:
  - Insert trim in the holder retaining springs facing slots.
  - Turn clockwise to lock the trim in the holder.

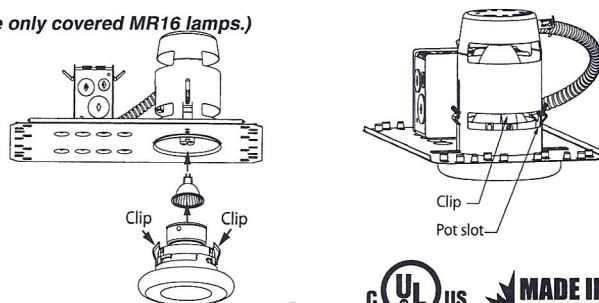


4. Bring the electrical wiring to the housing junction box as per applicable local electrical codes.
5. Connect the wires: Black/Black, White/White and Green/Green, then close the box.

**IMPORTANT:** Leave an extra length of 6" of supply leads and ground wire inside the junction box.

11.
  - Connect a lamp in the socket and insert it in the trim.
  - Push the trim in the can.
  - Make sure the retaining springs are aligned with the pot slots

(Use only covered MR16 lamps.)



Please keep these installation instructions for future maintenance.



**CAUTION** The use of another company's products or components in conjunction with this product may not be covered by UL approvals, and could be hazardous. Such use automatically voids all warranties and responsibility for any problems that may result from such use.



**WARNING**

**SHOCK AND FIRE HAZARD**

Most dwellings built before 1985 have supply wires rated 60°C. Consult a qualified electrician before installing.



**It is very important not to exceed the lamp wattage indicated.**

# LEUCOS

11 Mayfield Avenue Edison, NJ 08837  
 t 732.225.0010 f 732.225.0250  
 www.leucosusa.com

© 2016 Leucos USA  
 All rights reserved

EL102 (Rev. A) - 103891  
 2016-06