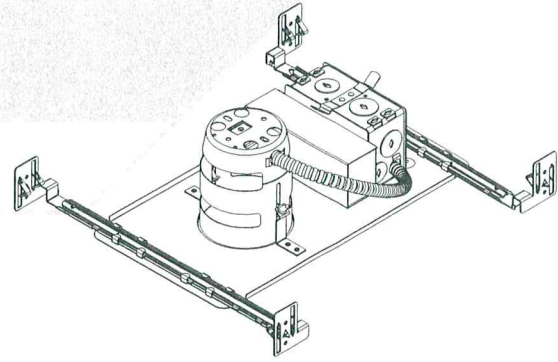


# INSTALLATION INSTRUCTIONS

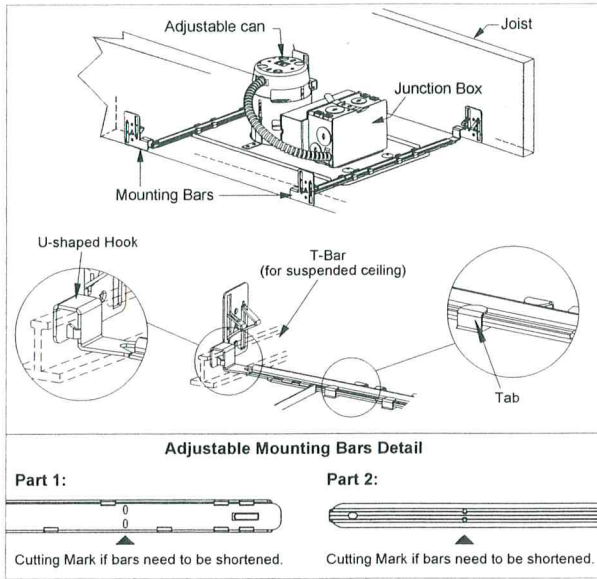
## New Construction LED Housing

DO NOT INSTALL IN INSULATION - SUITABLE FOR DAMP LOCATION

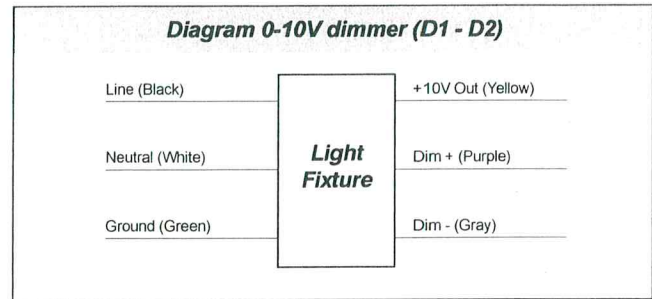
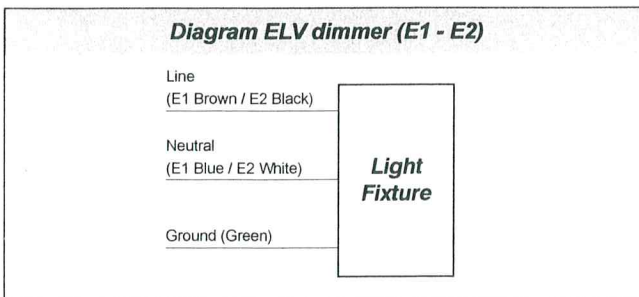
LEU-NWLDLD1, LEU-NWLDLD2, LEU-NWLDLE1, LEU-NWLDLE2



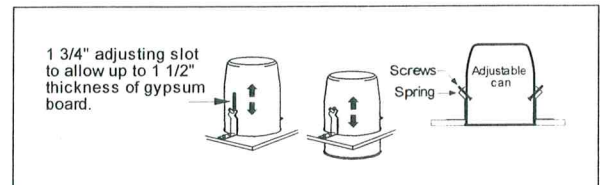
- SHUT OFF ELECTRICAL SUPPLY AT SOURCE.**
- Locate position of mounting frame and install before the gypsum board. Fasten the mounting frame to the wood joist (or ceiling type) with the adjustable mounting bars (10" to 24.5"). To shorten the bars to 10", remove bars and cut off at the notch (See adjustable mounting bars detail view).
- Once the correct bar length is known, fold down and press tabs to lock the plate to the mounting bars.



- Bring the electrical wiring to the housing junction box as per applicable local electrical codes.
- Open the junction box. Connect the wires based on diagrams below. Close the junction box.



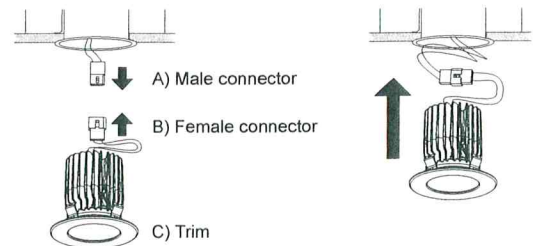
- Install the ceiling material and locate the center of each fixture on the ceiling material.
- Cut the hole to a diameter of:  $\varnothing 3 \frac{5}{8}$ " (92 mm)
- After installing the ceiling material, adjust the height of the can with the adjustment screws so that the lip is even with the ceiling.



- Install the trim.

Connect the male and female connectors.

Push connected wires in the pot then push the trim in the can.



Please keep these installation instructions for future maintenance.



**CAUTION** The use of another company's products or components in conjunction with this product may not be covered by UL approvals, and could be hazardous. Such use automatically voids all warranties and responsibility for any problems that may result from such use.



### WARNING SHOCK AND FIRE HAZARD

Most dwellings built before 1985 have supply wires rated 60°C. Consult a qualified electrician before installing.

Please visit the Website to see the list of compatible dimmers or for more details.

# LEUCOS

11 Mayfield Avenue Edison, NJ 08837  
t 732.225.0010 f 732.225.0250  
www.leucosusa.com

© 2015 Leucos USA  
All rights reserved

EL637 (Rev. B) 103713  
2015-09