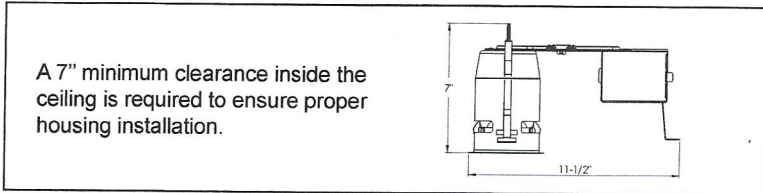
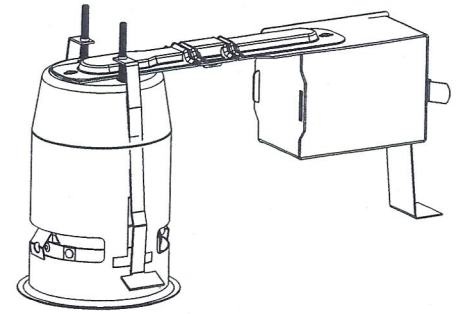


INSTALLATION INSTRUCTIONS

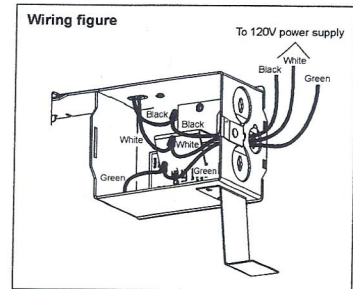
Remodel Housing

DO NOT INSTALL IN INSULATION - SUITABLE FOR DAMP LOCATION

LEU-REMR, LEU-REMR2

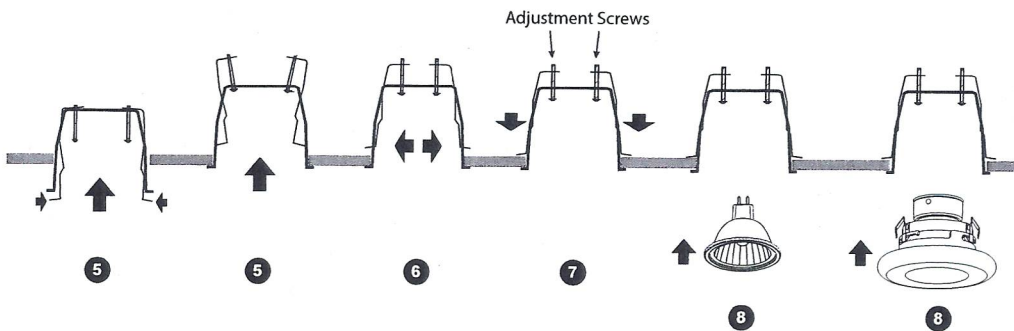
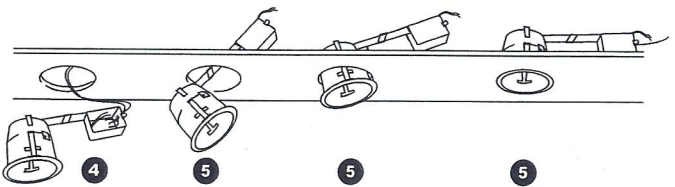
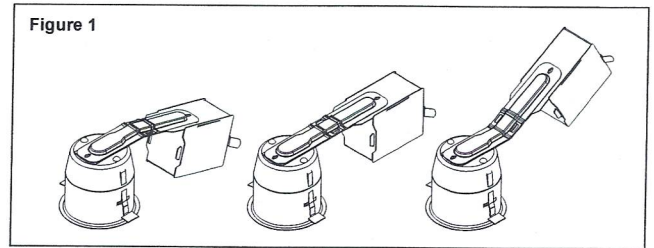


1. **SHUT OFF THE ELECTRICAL SUPPLY AT SOURCE.**
2. Bring the electrical wiring in the ceiling respecting local electrical codes.
3. Cut a hole in the ceiling: Ø 3-5/8" (92 mm)
4. Remove the junction box cover by pushing on the spring latch. Remove the appropriate knockout(s) to accommodate your wiring. Connect the wires coming from the power supply to the junction box wires, and match colors together (White/White, Black/Black, Green/Green, **see Wiring figure**). Close the junction box.



IMPORTANT: Leave an extra length of 6" of supply leads and ground wire inside the junction box.

5. Push the fastening hooks inside the housing through the lateral opening. Slide the housing into position: Flexible channel wire bracket bending (up to 45° MAX) for ease of installation in confined space (**see figure 1**).
6. Push fastening hooks outside the housing through the lateral openings.
7. Fasten the housing with the adjustment screws.
8. Insert the lamp into the socket and insert the trim into the housing. **(Use only covered MR16 lamp)**



Please keep these instructions for maintenance reference.



CAUTION The use of another company's products or components in conjunction with this product may not be covered by UL approvals, and could be hazardous. Such use automatically voids all warranties and responsibility for any problems that may result from such use.



WARNING
SHOCK AND FIRE HAZARD
Most dwellings built before 1985 have supply wires rated 60°C. Consult a qualified electrician before installing.



It is very important not to exceed the lamp wattage indicated.

LEUCOS

11 Mayfield Avenue Edison, NJ 08837
t 732.225.0010 f 732.225.0250
www.leucosusa.com

© 2015 Leucos USA
All rights reserved

EL101 - 103890
2015-09