

LEUCOS
Head Office & Showroom

Via del Commercio 22,
36060, Romano d'Ezzelino (VI)
T +39 041 5741111
info.it@leucos.com

LEUCOS USA Inc.
Head Office

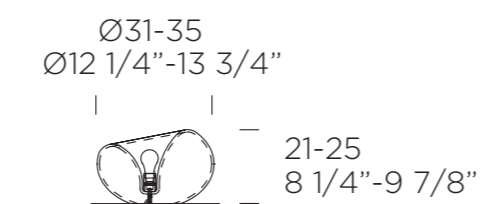
11 Mayfield Avenue
Edison New Jersey, 08837
United States of America
T +1 732 225-0010
info.us@leucos.com



leucos.com

© Leucos

LIGHTBODY BOLD T



TYPE	Table lamp
ENVIRONMENT	indoor
MATERIALS	glass diffuser and metal structure
FINISHES	transparent glass + matte black structure
DIMENSIONS	ø31-35cm h21-25cm [ø12 1/4"-13 3/4" h8 1/4"-9 7/8"] Cable length: 200cm [78 3/4"]
LIGHT SOURCE	E26 1 x 10W Retrofit LED
CONTROL	on-off or dimmer on cord
MARKING	DRY LOCATION IP20

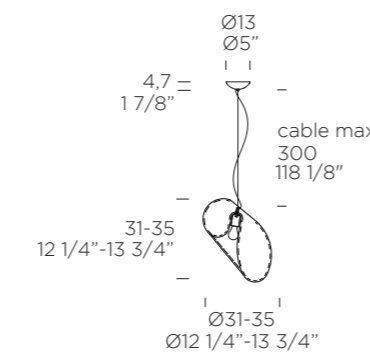
Lightbody Bold T

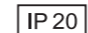



LIGHTBODY
Jörg Hugo, 2021

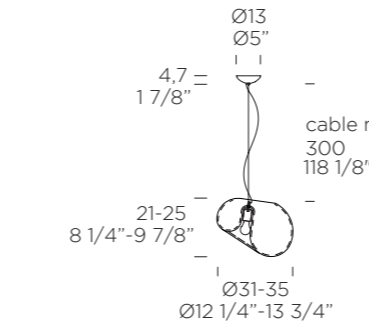
LEUCOS



LIGHTBODY S



TYPE	Pendant lamp
ENVIRONMENT	indoor
MATERIALS	glass diffuser and metal structure
FINISHES	transparent glass + matte black structure
DIMENSIONS	Diffuser: ø31-35cm h31-35cm [ø12 1/4"-13 3/4" h12 1/4"-13 3/4"] canopy: ø13cm h4,7 [ø5" h1 7/8"] Cable lenght: 300cm [118 1/8"]
LIGHT SOURCE	E26 1 x 10W Retrofit LED
MARKING	DRY LOCATION  

LIGHTBODY BOLD S



TYPE	Pendant lamp
ENVIRONMENT	indoor
MATERIALS	glass diffuser and metal structure
FINISHES	transparent glass + matte black structure
DIMENSIONS	Diffuser: ø31-35cm h21-25cm [ø12 1/4"-13 3/4" h8 1/4"-9 7/8"] canopy: ø13cm h4,7 [ø5" h1 7/8"] Cable lenght: 300cm [118 1/8"]
LIGHT SOURCE	E26 1 x 10W Retrofit LED
MARKING	DRY LOCATION  



Lightbody S, Lightbody Bold S & Lightbody Bold T

LIGHTBODY

Jörg Hugo, 2021

A collection of pendants and table lamps defined by their unique shape created by blowing the glass diffuser "soffio libero" (free blown) - a method of hand blowing glass without a mold. Each glass diffuser is handmade, one of a kind and etched with a unique serial number. Structure in matte black metal with a transparent glass diffuser.

Collezione di lampade a sospensione e da tavolo caratterizzate da una originale ed esclusiva forma del vetro ottenuta attraverso la tecnica del soffio libero, senza alcun stampo. Ogni pezzo è lavorato a mano, unico e irripetibile e pertanto numerato. Struttura in metallo verniciato nero opaco, diffusore in vetro trasparente.



Lightbody Bold S
Finish: transparent glass +
matte black structure



Lightbody S
Finish: transparent glass +
matte black structure

Lightbody S & Lightbody Bold S