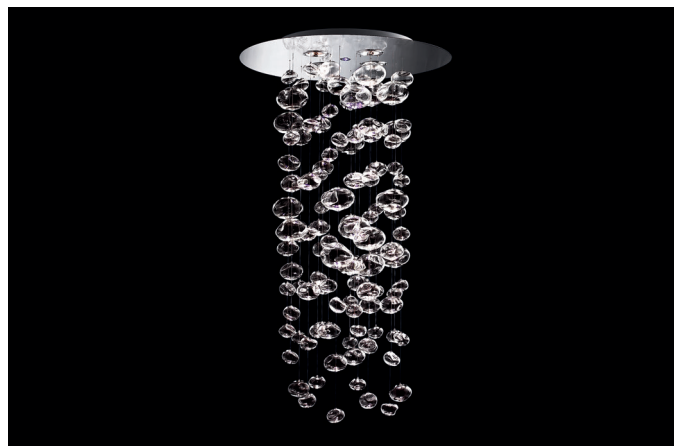
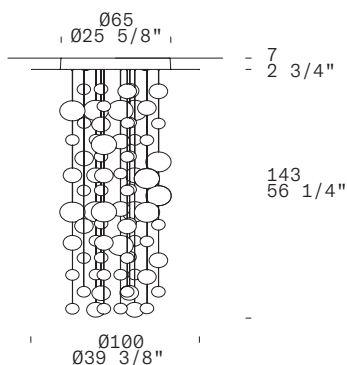






ETHER S 150 - INDOOR  
Patrick Jouin, 2006



TECHNICAL SHEET

MATERIALS	Diffuser: Handmade Borosilicate Blown Glass Structure: Steel		
DIMENSIONS	Diffuser: Ø100cm h143cm [Ø39 3/8" h56" 1/4"] Canopy: Ø65cm h7cm [Ø25 5/8" h2 3/4"]		
FINISHES (DIFFUSER + STRUCTURE)	Transparent + Polished Steel 		
LIGHT SOURCE	G53 4 x 15W Retrofit LED G53 4 x 15W Retrofit LED + GU5,3 1 x 8W Retrofit LED RGB 6601m		
MARKING	DRY LOCATION   		
PACKAGING	Gross weight: 54,3kg - 1,95m³ Dimensions: 120x120x15cm (box structure) 84,2x23,7x21cm (box diffusers) Shipment: 1 pallet 120x120x120cm		
ON REQUEST	Special Versions (see p.85)		

FINISH	SOURCE	CODE	GTIN (EAN CODE)
Transparent + Polished Steel	G53	0010060	8052011014172
Transparent + Polished Steel	G53 + GU5,3*	0010061	8052011014189
NOTE	* GU5,3 LED WITH RGB + REMOTE CONTROL (USABLE UNTIL 5M)		

RGB LED version Special version



We reserve the right to change our product specifications.  
Please visit [www.leucos.com](http://www.leucos.com) for the latest product information