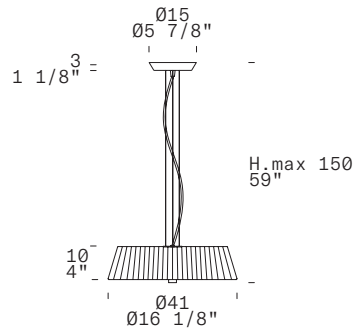




LILITH S 40 - INDOOR

Leucos Design Lab, 2006

LEUCOS®



TECHNICAL SHEET

MATERIALS	Diffuser: Cotton Thread Structure: Metal
DIMENSIONS	Diffuser: Ø41cm h10cm [Ø16 1/8" h10 4"] Canopy: Ø15cm h3cm [Ø5 7/8" h1 1/8"] Cable: 150cm [59"]
FINISHES (DIFFUSER + STRUCTURE)	[1] Silver + Brushed Nickel [2] White + Brushed Nickel [3] Mocha + Brushed Nickel 
LIGHT SOURCE	E14 3 x 5W Retrofit LED (3 x max 46W Halogen Bulb)
MARKING	DRY LOCATION 
PACKAGING	Gross weight: 4,5kg - 0,05m³ Dimensions: 46x46x25,5cm

FINISH	SOURCE	CODE	GTIN (EAN CODE)
[1] Silver + Brushed Nickel	E14	0000083	8052011014578
[2] White + Brushed Nickel	E14	0000089	8052011014585
[3] Mocha + Brushed Nickel	E14	0000106	8052011014592



We reserve the right to change our product specifications.
Please visit www.leucos.com for the latest product information