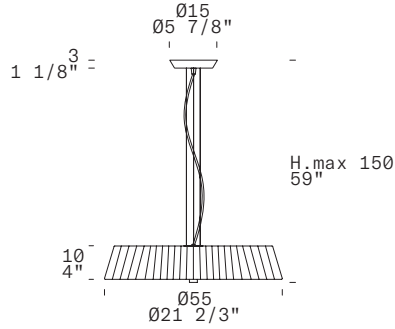


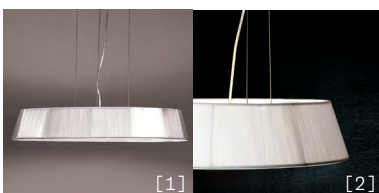
LILITH S 55 - INDOOR  
Leucos Design Lab, 2006



TECHNICAL SHEET

MATERIALS	Diffuser: Cotton Thread Structure: Metal
DIMENSIONS	Diffuser: 055cm h10cm [021 2/3" h10 4"] Canopy: 015cm h3cm [05 7/8" h1 1/8"] Cable: 150cm [59"]
FINISHES (DIFFUSER + STRUCTURE)	[1] Silver + Brushed Nickel [2] White + Brushed Nickel [3] Mocha + Brushed Nickel  
LIGHT SOURCE	E27 4 x 10W Retrofit LED (4 x max 57W Halogen Bulb)
MARKING	DRY LOCATION 
PACKAGING	Gross weight: 6,8kg - 0,09m³ Dimensions: 62x62x24cm

FINISH	SOURCE	CODE	GTIN (EAN CODE)
[1] Silver + Brushed Nickel	E27	0000084	8052011014608
[2] White + Brushed Nickel	E27	0000090	8052011014615
[3] Mocha + Brushed Nickel	E27	0000107	8052011014622



We reserve the right to change our product specifications.  
Please visit [www.leucos.com](http://www.leucos.com) for the latest product information