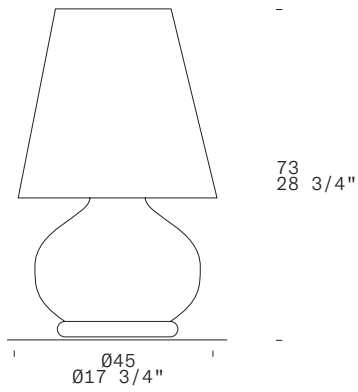



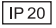


PARALUME G (BIG) T - INDOOR  
Leucos Design Lab, 1983



## TECHNICAL SHEET

MATERIALS	Diffuser: Blown and Layered Glass Structure: Metal
DIMENSIONS	Diffuser: Ø45cm h73cm [Ø45" h28 3/4"] Cable lenght: 180cm [70 7/8"]
FINISHES (DIFFUSER + STRUCTURE)	Satin White + White 
LIGHT SOURCE	E27 2 x 10W Retrofit LED (2 x max 77W Halogen Bulb)
MARKING	DRY LOCATION   
PACKAGING	Gross weight: 13,4kg - 0,25m³ Dimensions: 50x50x50cm (2 boxes)

## Double Light Switch



LEUCOS®



CONTROL	Double Light Switch		
FINISH	SOURCE	CODE	GTIN (EAN CODE)
Satin White + White	E27	0002514	8052011014769

We reserve the right to change our product specifications.  
Please visit [www.leucos.com](http://www.leucos.com) for the latest product information