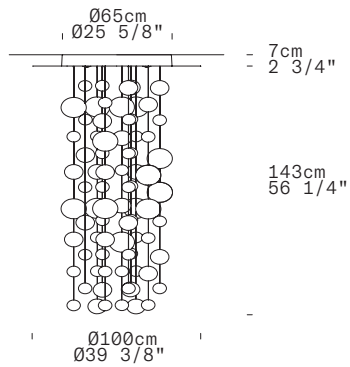


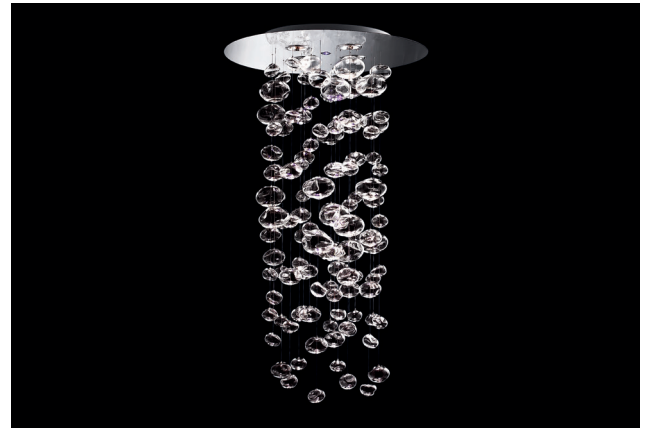
# ETHER S 150 - INDOOR

Patrick Jouin, 2006



LEUCOS



Discover more



## TECHNICAL SHEET

MATERIALS	Diffuser: Borosilicate Blown Glass Structure: Steel
DIMENSIONS	Diffuser: Ø100cm h143cm [Ø39 3/8" h56" 1/4"] Canopy: Ø65cm h7cm [Ø25 5/8" h2 3/4"]
LIGHT SOURCE	G53 4 x 15W Retrofit LED G53 4 x 15W Retrofit LED + GU5,3 1 x 8W Retrofit LED RGB 660lm
MARKING	DRY LOCATION   IP20
WEIGHT	Net weight: 36,8kg
ON REQUEST	Special Versions

FINISH (DIFFUSER + STRUCTURE)	SOURCE	CODE
Transparent + Polished Steel	G53	0010060
Transparent + Polished Steel	G53 + GU5,3*	0010061
NOTE	*GU5,3 LED with RGB + REMOTE CONTROL (included, usable until 5M)	
NOTE	Light bulbs not included	

We reserve the right to change our product specifications.  
Please visit [www.leucos.com](http://www.leucos.com) for the latest product information