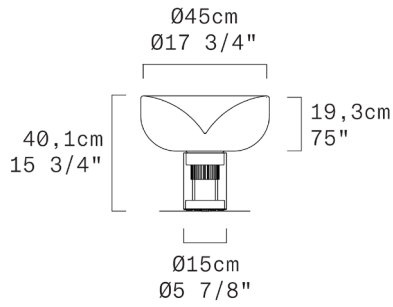


# AELLA T 45 OPENWORKED - INDOOR

Toso & Massari, 2024




Special Edition



Discover more

REPLACEABLE LED

## TECHNICAL SHEET

MATERIALS	Diffuser: Blown Glass Structure: Metal + Anodized aluminium and Natural Copper Rods Base: Borosilicate Glass
DIMENSIONS	Diffuser: $\text{Ø}45\text{ cm}$ H19,3cm [ $\text{Ø}17\ 3/4''$ H75"] Base: $\text{Ø}15\text{cm}$ H40,1 cm [ $\text{Ø}5\ 7/8''$ H15 3/4"] Cable lenght: 200 cm [78 3/4"]
LIGHT SOURCE	LED 1 X 16,6W 2556lm (nominal) 3000K CRI $\geq$ 90 LED 1 X 16,6W 2456lm (nominal) 2700K CRI $\geq$ 90
DIMMING PROTOCOL	Dimmer on cord
MARKING	  
NET WEIGHT	8kg

# LEUCOS



DIMMING PROTOCOL	Dimmer on cord	
FINISH (DIFFUSER+STRUCTURE)	SOURCE	CODE
Trasparent with White spot + Transparent Glass + Anodized Aluminium and Natural Copper Rods	LED 3000K LED 2700K	0013393 0013394

We reserve the right to change our product specifications. Please visit [www.leucos.com](http://www.leucos.com) for the latest product information