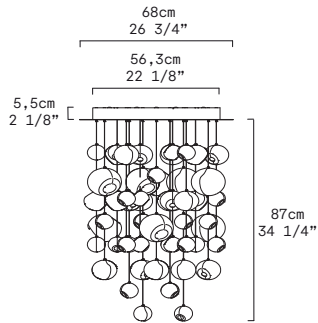


ETHER S 90 RD



Patrick Jouin, 2025

LEUCOS



Discover more



TECHNICAL SHEET	
MATERIALS	Diffuser: Blown Borosilicate Glass Structure: Metal
DIMENSIONS	Diffuser: Ø68cm H87cm [Ø26 3/4" H34 1/4"] Canopy: Ø56,3cm H5,5cm [Ø22 1/8" H2 1/8"]
LIGHT SOURCE	LED 5X8,7W (43,5W total) 5725lm (nominal) 3000K CRI≥90 LED 5X8,7W (43,5W total) 5380lm (nominal) 2700K CRI≥90
DIMMING PROTOCOL	Push-dim; 0/1-10V, DALI
MARKING	 
NET WEIGHT	18kg

DIMMING PROTOCOL	Push-dim; 0/1-10V, DALI	
FINISH (DIFFUSER + STRUCTURE)	SOURCE	CODE
Trasparent + Matte White	LED 3000K	0014451
	LED 2700K	0014452

We reserve the right to change our product specifications.
Please visit www.leucos.com for the latest product information