




ETHER S 90 SQ

Patrick Jouin, 2025

LEUCOS

TECHNICAL SHEET

MATERIALS	Diffuser: Blown Borosilicate Glass Structure: Metal
DIMENSIONS	Diffuser: 70x70cm H87cm [27 1/2" x 27 1/2" H34 1/4"] Canopy: 59x59cm H5,5cm [23 1/4" x 23 1/4" H2 1/8"]
LIGHT SOURCE	LED 4X8,7W (34,8W total) 4580lm (nominal) 3000K CRI≥90 LED 4X8,7W (34,8W total) 4304lm (nominal) 2700K CRI≥90
DIMMING PROTOCOL	Push-dim; 0/1-10V, DALI
MARKING	  
NET WEIGHT	25 Kg



VERSION A



VERSION B

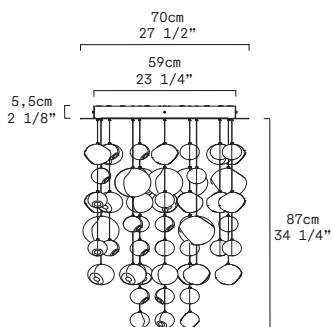


VERSION C



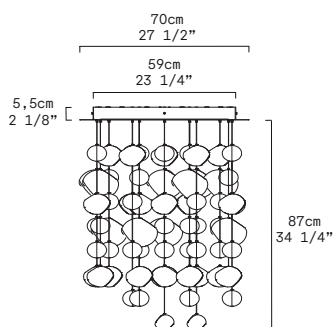
VERSION D

We reserve the right to change our product specifications.
Please visit www.leucos.com for the latest product information



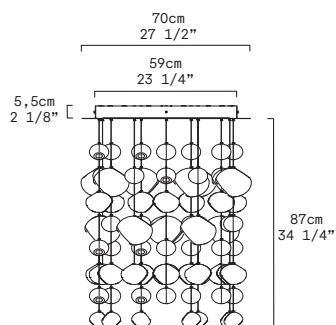
ETHER S 90 SQ VERSION A

DIMMING PROTOCOL	Push-dim; 0/1-10V, DALI	
FINISH (DIFFUSER + STRUCTURE)	SOURCE	CODE
Trasparent + Matte White	LED 3000K LED 2700K	0014455 0014456



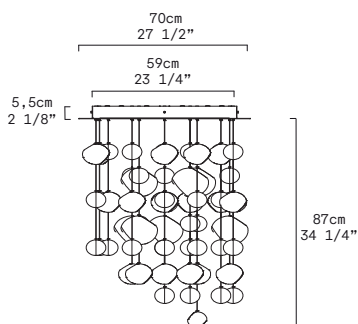
ETHER S 90 SQ VERSION B

DIMMING PROTOCOL	Push-dim; 0/1-10V, DALI	
FINISH (DIFFUSER + STRUCTURE)	SOURCE	CODE
Trasparent + Matte White	LED 3000K LED 2700K	0014457 0014458



ETHER S 90 SQ VERSION C

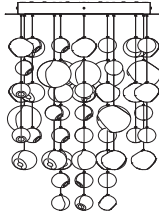
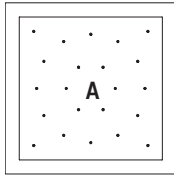
DIMMING PROTOCOL	Push-dim; 0/1-10V, DALI	
FINISH (DIFFUSER + STRUCTURE)	SOURCE	CODE
Trasparent + Matte White	LED 3000K LED 2700K	0014459 0014460



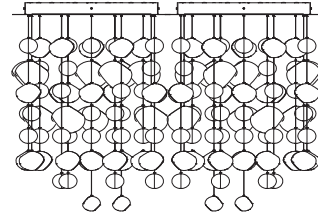
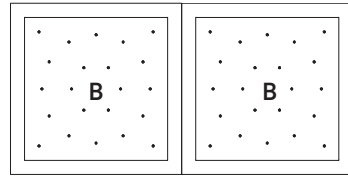
ETHER S 90 SQ VERSION D

DIMMING PROTOCOL	Push-dim; 0/1-10V, DALI	
FINISH (DIFFUSER + STRUCTURE)	SOURCE	CODE
Trasparent + Matte White	LED 3000K LED 2700K	0014461 0014462

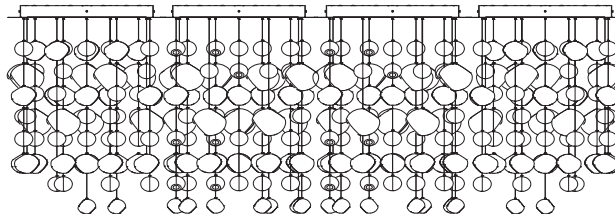
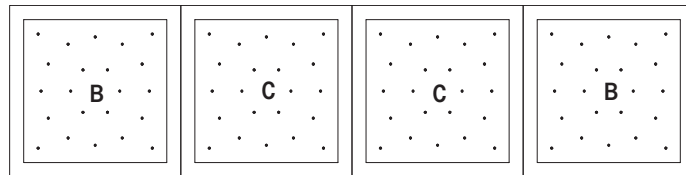
VERSION A



VERSION B - B



VERSION B - C - C - B



VERSION D - D - D - D

